

# Part List

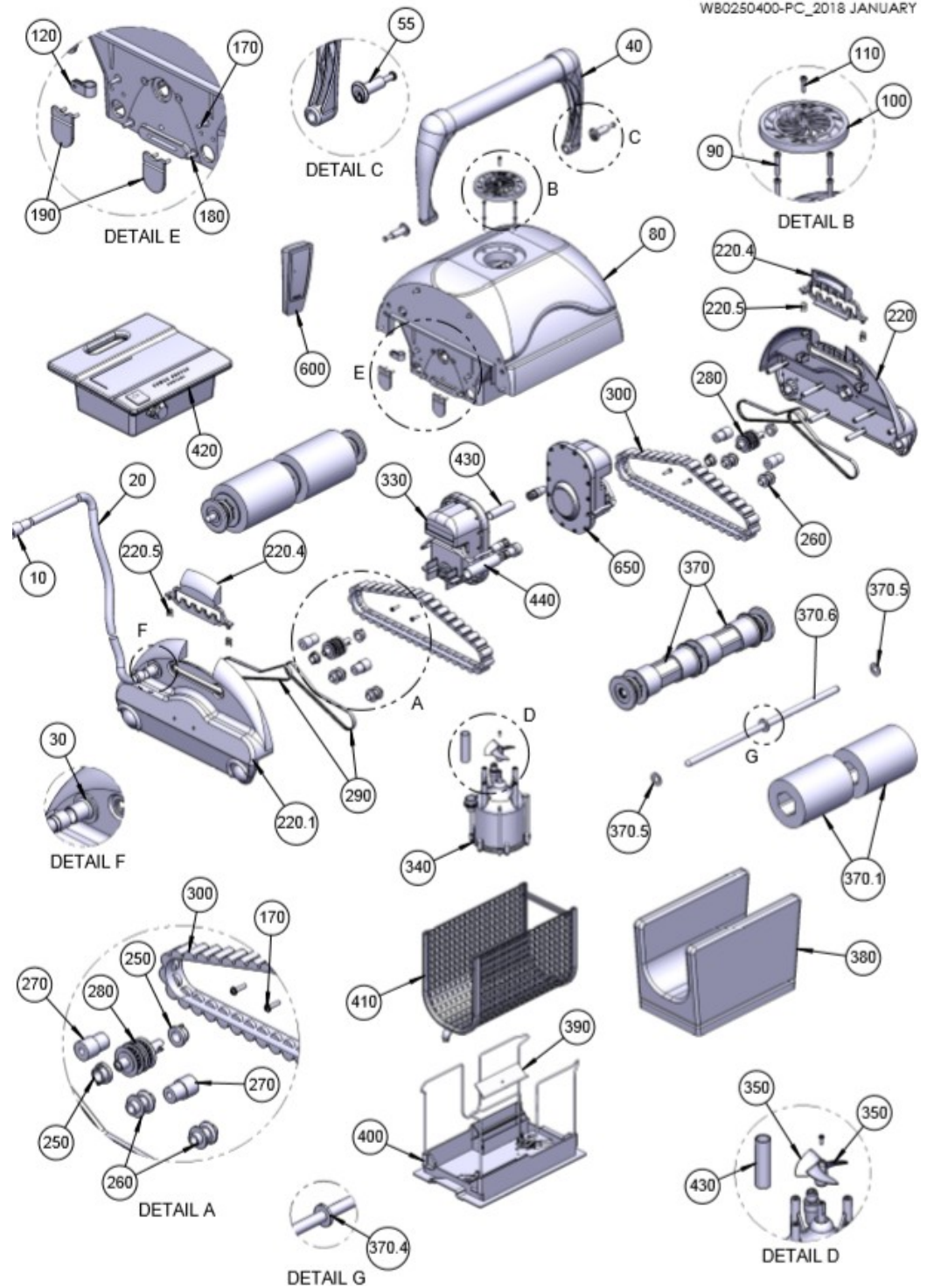
REVI-BRA0-V2399

AQUABOT VIVA 23M

Revision: 2020



WB0250400-PC\_2018 JANUARY



Robot No	Robot Name	Year	Item No	Part No	Description	Qty
REVI-BRA0-V2399	AQUABOT VIVA 23M	2020	120	2105	P-CLIP 1\2	1
REVI-BRA0-V2399	AQUABOT VIVA 23M	2020	190	2305N	RUBBER VALVE	4
REVI-BRA0-V2399	AQUABOT VIVA 23M	2020	90	2500	SCREW #8X1.175 PH PN	4
REVI-BRA0-V2399	AQUABOT VIVA 23M	2020	370.4	2607	DELTRIN WASHER	2
REVI-BRA0-V2399	AQUABOT VIVA 23M	2020	250	2613	MOLYBDENUM BUSHING	4
REVI-BRA0-V2399	AQUABOT VIVA 23M	2020	170	2700	SCREW #8X11\16 PHIL.	16
REVI-BRA0-V2399	AQUABOT VIVA 23M	2020	180	2701	SCREW #8X11\16 PHIL PN	4
REVI-BRA0-V2399	AQUABOT VIVA 23M	2020	370.1	3009AG	PVA BRUSH	4
REVI-BRA0-V2399	AQUABOT VIVA 23M	2020	300	3201G	DRIVE TRACK	2
REVI-BRA0-V2399	AQUABOT VIVA 23M	2020	290	3302	DRIVE BELT	4
REVI-BRA0-V2399	AQUABOT VIVA 23M	2020	260	3500	SMALL ROLLER	4
REVI-BRA0-V2399	AQUABOT VIVA 23M	2020	270	3506	SLEEVE ROLLER	4
REVI-BRA0-V2399	AQUABOT VIVA 23M	2020	370.5	3603	FLAT DELTRIN WASHER	4
REVI-BRA0-V2399	AQUABOT VIVA 23M	2020	110	5061	SCREW 6-32X5\8 S\S PH PA	2
REVI-BRA0-V2399	AQUABOT VIVA 23M	2020	220.5	5087	SPRING	4
REVI-BRA0-V2399	AQUABOT VIVA 23M	2020	220.4	5088BL	HANDLE LOCK	2
REVI-BRA0-V2399	AQUABOT VIVA 23M	2020	100	5093BL	OUTLET TOP	1
REVI-BRA0-V2399	AQUABOT VIVA 23M	2020	380	8150	FINE FILTER BAG THICK FABRICK	1
REVI-BRA0-V2399	AQUABOT VIVA 23M	2020	390	9305B-NT	BOTTOM LID VALVE	2
REVI-BRA0-V2399	AQUABOT VIVA 23M	2020	340	AS00035R-SP	PUMP MOTOR	1
REVI-BRA0-V2399	AQUABOT VIVA 23M	2020	280	AS0034110	PULLEY ASSY	2
REVI-BRA0-V2399	AQUABOT VIVA 23M	2020	650	AS08694D-SP	MOTOR SL/V13	1
REVI-BRA0-V2399	AQUABOT VIVA 23M	2020	330	AS08702D-SP	MOTOR MS/CLM/PV AC/RC/V58	1

Robot No	Robot Name	Year	Item No	Part No	Description	Qty
REVI-BRA0-V2399	AQUABOT VIVA 23M	2020	410	AS09240	FILTER SCREEN ASSY	1
REVI-BRA0-V2399	AQUABOT VIVA 23M	2020	80	AS1014900	BODY ASSY	1
REVI-BRA0-V2399	AQUABOT VIVA 23M	2020	40	AS1043100	HANDLE ASSY	1
REVI-BRA0-V2399	AQUABOT VIVA 23M	2020	220	AS1060300	SIDE PLATE ASSY	1
REVI-BRA0-V2399	AQUABOT VIVA 23M	2020	220.1	AS1060350	SIDE PLATE ASSY	1
REVI-BRA0-V2399	AQUABOT VIVA 23M	2020	430	AS110162506	SHRINK 1625 CUT TO 60mm	2
REVI-BRA0-V2399	AQUABOT VIVA 23M	2020	0	AS110300001	SEALANT BUTYL MASTIC XW3000100	2
REVI-BRA0-V2399	AQUABOT VIVA 23M	2020	440	AS111161408	SHRINK 1614 CUT TO 80mm	1
REVI-BRA0-V2399	AQUABOT VIVA 23M	2020	420	AS2722800-SP	POWER SUPPLY (SPS 400)	1
REVI-BRA0-V2399	AQUABOT VIVA 23M	2020	370	AS38252CG	WHEEL TUBE ASSY	4
REVI-BRA0-V2399	AQUABOT VIVA 23M	2020	10	ASPL00002M	4 PIN PLUG	1
REVI-BRA0-V2399	AQUABOT VIVA 23M	2020	400	BS6100200	S/A BOTTOM LID	1
REVI-BRA0-V2399	AQUABOT VIVA 23M	2020	370.6	MP00212	AXLE 413 MM	2
REVI-BRA0-V2399	AQUABOT VIVA 23M	2020	350	P00038	PROPELLER	1
REVI-BRA0-V2399	AQUABOT VIVA 23M	2020	0	PL00008F	CONNECTOR 4 PIN FEMALE	1
REVI-BRA0-V2399	AQUABOT VIVA 23M	2020	30	PP0001623	SEALING GROMMET	1
REVI-BRA0-V2399	AQUABOT VIVA 23M	2020	0	PP0005000	FLOAT FOR MOTOR	4
REVI-BRA0-V2399	AQUABOT VIVA 23M	2020	0	PP0013900	GROMMET	1
REVI-BRA0-V2399	AQUABOT VIVA 23M	2020	600	RC0100500	RC RES IDP INTEG RAD	1
REVI-BRA0-V2399	AQUABOT VIVA 23M	2020	55	SK00000BK	PIN ASSY FOR HANDLE	2
REVI-BRA0-V2399	AQUABOT VIVA 23M	2020	360	SW00069	SCREW M3X10 PHIL DIN-965	1
REVI-BRA0-V2399	AQUABOT VIVA 23M	2020	20	WA00023CGL	F.CABLE CG/23M/4 C/EZ-SW/FAST	1

**Date: 24/03/2020**

**For more details see Aquatron Service Website: [www.aquatron.co.il](http://www.aquatron.co.il)**